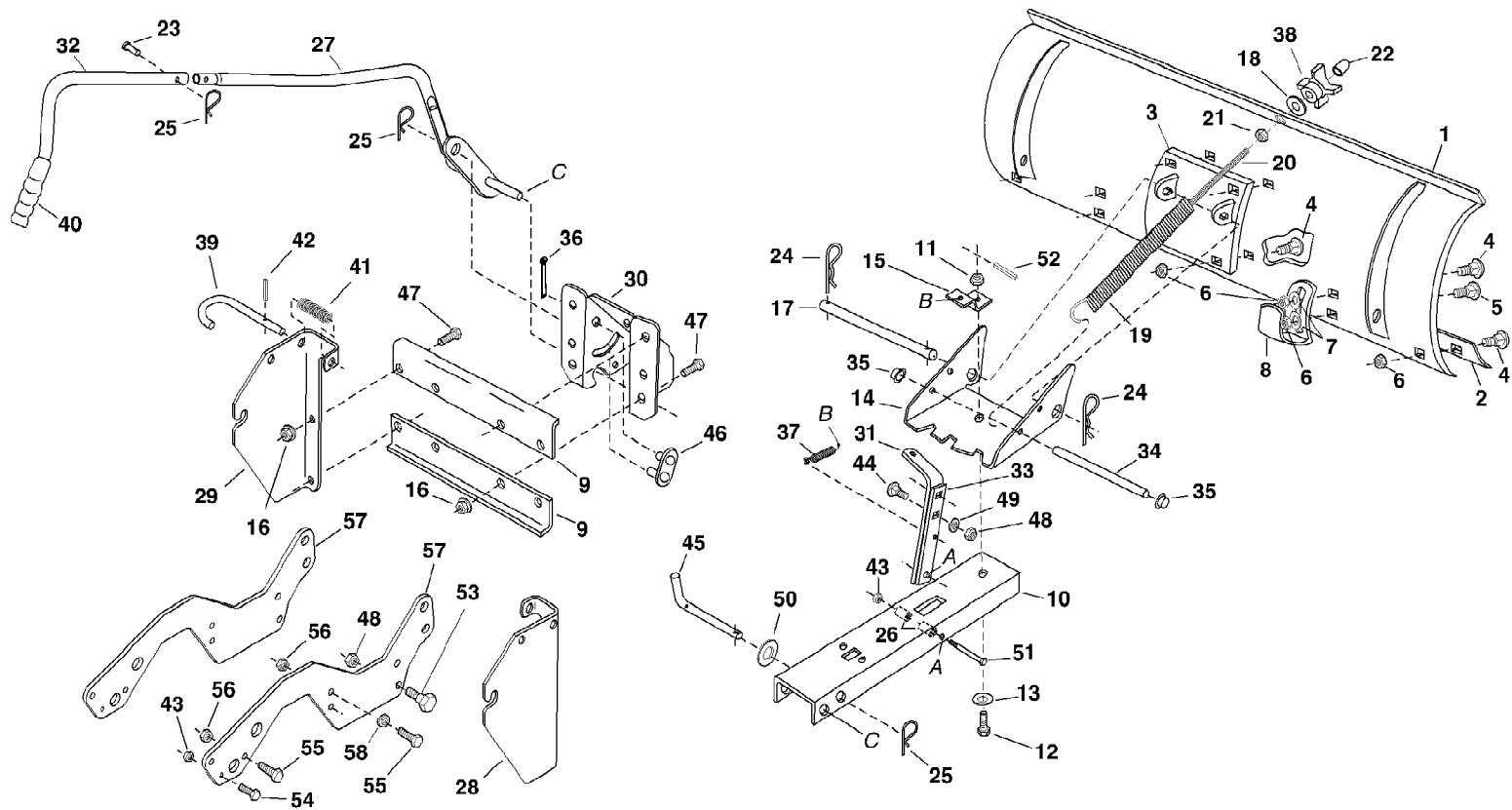


190-833-000 46" Dozer Blade (2008)
General Assembly



190-833-000 46" Dozer Blade (2008)
General Assembly

Page 2 of 3

Ref #	Part Number	Qty	S/P/F	Description
1	AF-63821	1		Blade- 46"
2	AF-24524	1		Wear Plate - 46"
3	AF-62980	1		Reinforcement Plate Assembly
4	AF-43080	8	S	Bolt, Carriage 5/16-18 x 3/4
5		2		Bolt, Carriage 5/16-18 x 1 Purchase locally
6	AF-43064	14	S	Hex Lock Nut 5/16-18 Thread
7	AF-43081	4		Washer, 5/16"
8	AF-24690	2	/P	Skid Shoe
9	AF-24520	2		Bracket, Angle Support
10	AF-24347	1		Push Channel
11	AF-43262	1	S	Hex Lock Nut6, 1/2=13 Thread
12	AF-23131	1		Bolt, Special Pivot
13		1		Washer, Flat 1/2" Purchase locally
14	AF-23958	1		Plate, Pivot 7 Ga
15	AF-23130	1		Bracket, Spring Mt.
16	AF-47572	8		Flanged Lock Nut, 3/8-16 Thread
17	AF-23122	1		Shaft, Pivot
18	AF-43070	1		Washer, 3/8" STD
19	AF-9466R	1	/P	Spring, Blade Adjust
20	AF-44071	1		Hex Bolt, 3/8-16 x 3 -1/2"
21	AF-43015	1	S	Hex Nut, 3/8-16 Thread
22	AF-44074	1		Plastic Cap
23	AF-41-42	1		Pin, Clevis 1/4" x 1-1/2"
24	AF-43343	2		Pin Hair Cotter #4 (1/8")
25	AF-43055	3	S	Pin Hair Cotter #3 (3/32")
26	AF-46053	2		Spacer, .28 ID x 1"
27	AF-63283	1		Lift Handle Assembly, Lower
28	AF-24518	1		Hitch Bracket, RH
29	AF-24519	1		Hitch Bracket, LH
30	AF-24023	1	S	Pivot Support Bracket
31	AF-23129	1		Angle Lock Bar (Long)
32	AF-46553	1		Lift Handle Upper
33	AF-23151	1	/P	Angle Lock Bar (Short)
34	AF-23856	1		Spring Mount Rod
35	AF-44917	2	S	Palnut 3/8
36	AF-43010	1	S	Cotter Pin 1/8" x 1
37	AF-43348	1	/P	Angle Lock Spring
38	AF-47501	1		Knob
39	AF-47553	2		Pin, Attachment
40	AF-43362	1	S	Handle, Grip
41	732-3127	2	S	Spring, Compression
42	AF-43659	2		Pin, Spring 3/16" x 1
43	AF-43013	3	S	Hex Lock Nut 1/4-20 Thread
44		2		Carriage Bolt, 3/8-16 x 1" Purchase locally
45	AF-46065	1		Channel Pivot Pin
46	AF-63034	1		Lift Link Assembly
47	AF-43001	8	S	Hex Bolt, 3/8-16 x 3 -1"
48	AF-43082	4	S	Hex Lock Nut, 3/8"-16 Thread Alt # 712-0431
49	AF-43003	2	S	Lock Washer 3/8"
50	AF-R19171616	1		Washer
51	AF-46071	1		Hex Bolt, 1/4-20 x 3 1/4" LG. GR 5
52	AF-43349	1	S	1/4" x 1" Spring Pin
53	738-0143	1	/P	Shoulder Bolt 3/8-16 x 1/2"

190-833-000 46" Dozer Blade (2008)
General Assembly

Page 3 of 3

Ref #	Part Number	Qty	S/P/F	Description
54		2		Hex Bolt 1/4-20 x 1" Purchase locally
55		6		Hex Bolt 5/16-18 x 1" Purchase locally
56		6		Hex Nut, 5/16-18 Nylock Purchase locally
57	AF-24932	1		Frame Bracket
58		1		Lock Washer 5/16" Purchase locally